

CLASS 150

BRONZE LIFT CHECK VALVE

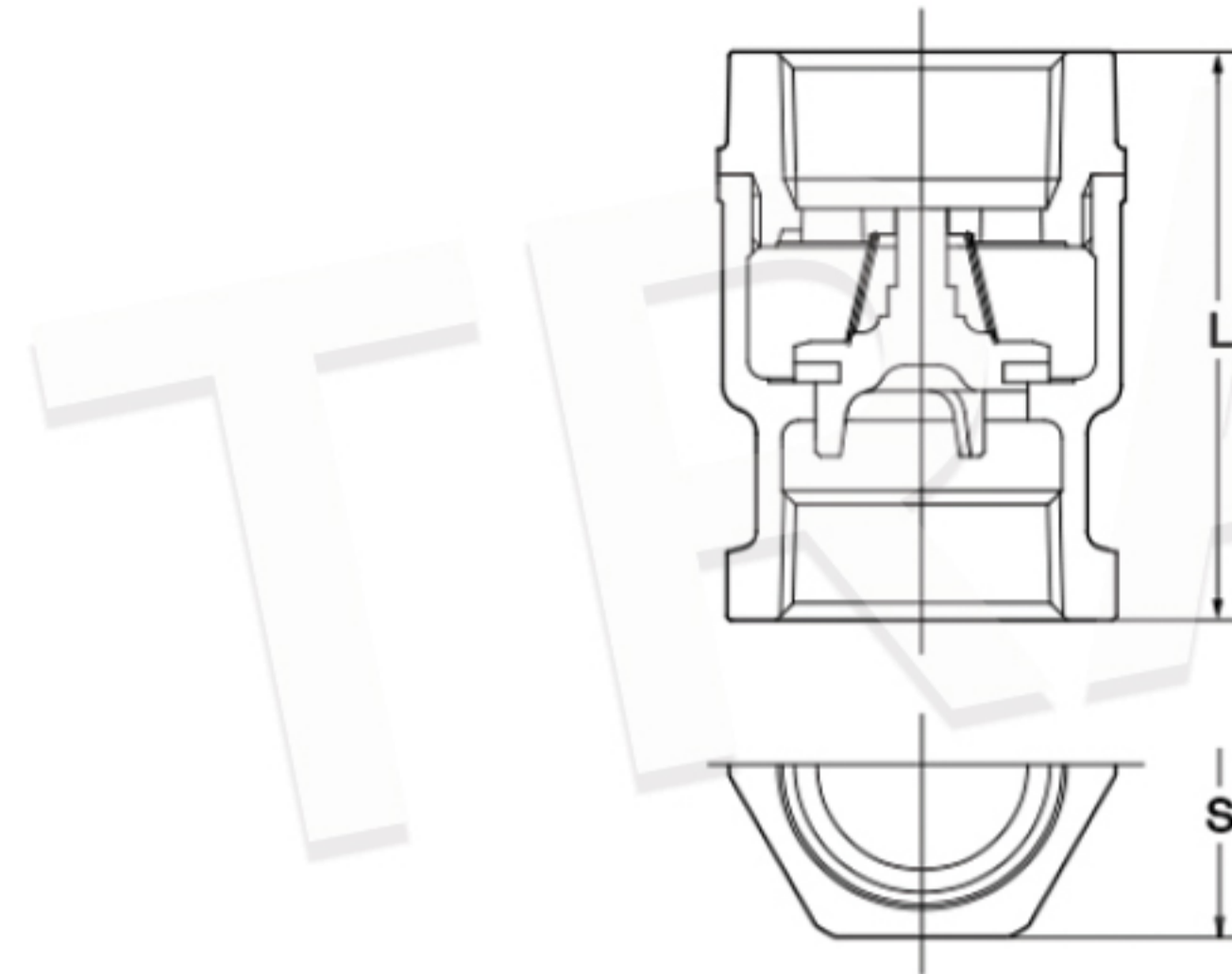
Screwed Cap, Lift type disc
Threaded ends to BS21 (JIS B0203) or NPT,
or solder joint ends.

W.O.G. non-shock 1.72 MPa (250 psi)



Fig. RF

- Threaded end to BS21 (JIS B0203)
- NBR Disc



Materials

Parts	Material
Body	Bronze
Cap	Bronze
Disc	NBR/FKM*

*AKAF & CAF

⚠ Don't use for Flammable gas or Toxic gas.

Dimensions

Nominal Size	inch	1/2	3/4	1	1 1/4	1 1/2	2	mm
	mm	15	20	25	32	40	50	
L		53	59	67	78	84	98	
L1 Solder		61	76	89	97	110	132	
S (AKAF)		26	32	39	48	54	67	
S (RF)		28	34	41	50	57	70	